

Copy from an Original Transmitter to a NEW Transmitter

8/26/2020

Step 1

1. Turn both transmitters "OFF" by pressing the Emergency Off button. (EMO)
2. Make sure to keep a distance of 2 feet between transmitters when copying.

Note: The copy feature does not work for the K202R Series Systems.

Step 2

1. Press each of the bottom two buttons, on the original transmitter, alternately four times. (1,2,1,2,1,2,1,2*) The Status light will start blinking Green and Red.
 2. Press and Hold the UP button for more than 5 seconds until the "1" and "2" LED's Blink rapidly. Then release the UP button.
- *Note: The bottom two buttons will be dependent on which Model of Transmitter you have.



Original TX

Step 3

1. Press each of the bottom two buttons, on the new transmitter, alternately four times. (1,2,1,2,1,2,1,2*) The Status light will start blinking Green and Red.
2. Press and Hold the DOWN button for more than 45 seconds until the "1" and "2" LED's stay ON. Then release the UP button. Test to verify that the transmitter operates the receiving unit.

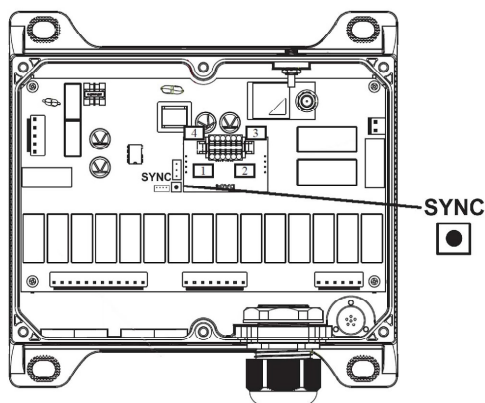


New TX

Copy from Receiving Unit to a NEW Transmitter

Step 1

1. Make sure the Receiving Unit is powered up.
2. Press and Hold the SYNC. button for more than 3 seconds. The STATUS Light will start blinking Red and Green.
3. Make sure to keep a distance of 2 feet between transmitter and Receiver when copying.



Receiving Unit

Step 2

1. Push the EMO button.
2. Press each of the bottom two buttons, on the new transmitter, alternately four times. (1,2,1,2,1,2,1,2*) The Status light will start blinking Green and Red.
3. Press and Hold the DOWN button for more than 45 seconds until the "1" and "2" LED's stay ON. Then release the DOWN button. Test to verify that the transmitter operates the receiving unit.

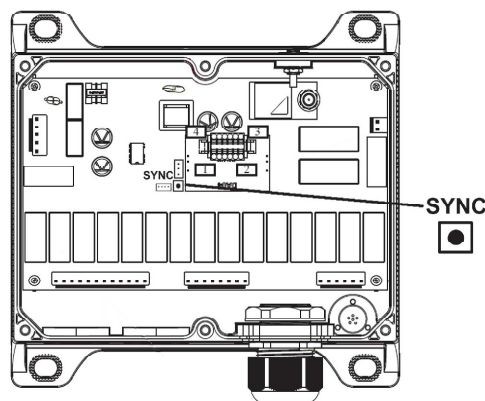


New TX

Copy from Transmitter to a new Receiving Unit

Step 1

1. Make sure the Receiving Unit is powered up.
2. Press and Hold the SYNC. button for more than 3 seconds. The STATUS Light will start blinking Green and Red.
3. Make sure to keep a distance of 2 feet between transmitter and Receiver when copying.



New Receiving Unit

Step 2

1. Push the EMO button.
2. Press each of the bottom two buttons, on the original transmitter, alternately four times. (1,2,1,2,1,2,1,2*) The Status light will start blinking Green and Red.
3. Press and Hold the UP button for more than 45 seconds until the "1" and "2" LED's stay ON. Then release the UP button. Test to verify that the transmitter operates the receiving unit.



Original TX