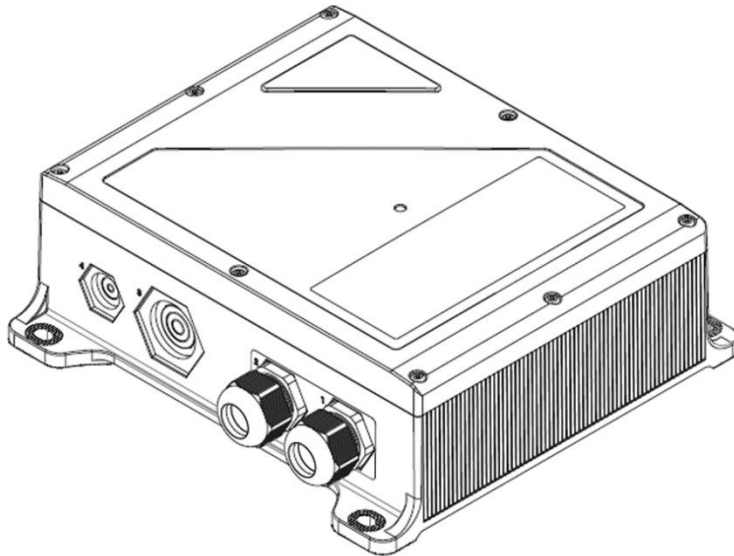




**INMOTION Controls, Inc.**

## **HML receiver**



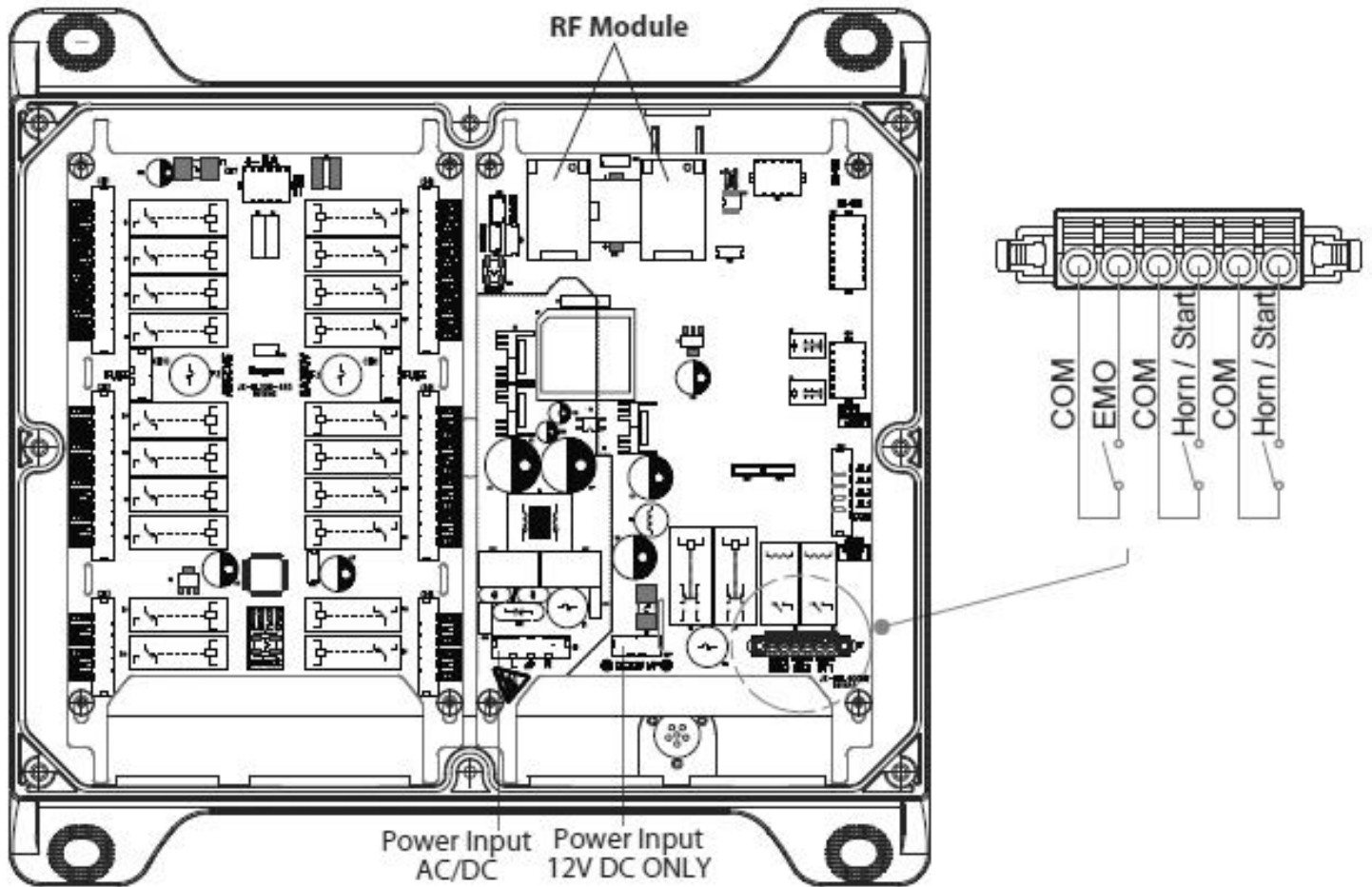
### **Basic Installation Instructions**



**July 2020**

# Receiver

**WARNING!** The receiver must NOT be opened by any other than a qualified installer. Make sure to turn the electricity off before opening the receiver. The receiver is intended for wireless control of cranes, hoists, monorails and other types of equipment. The receivers operate in two to five step for typical Hoist, Trolley and Bridge Control.



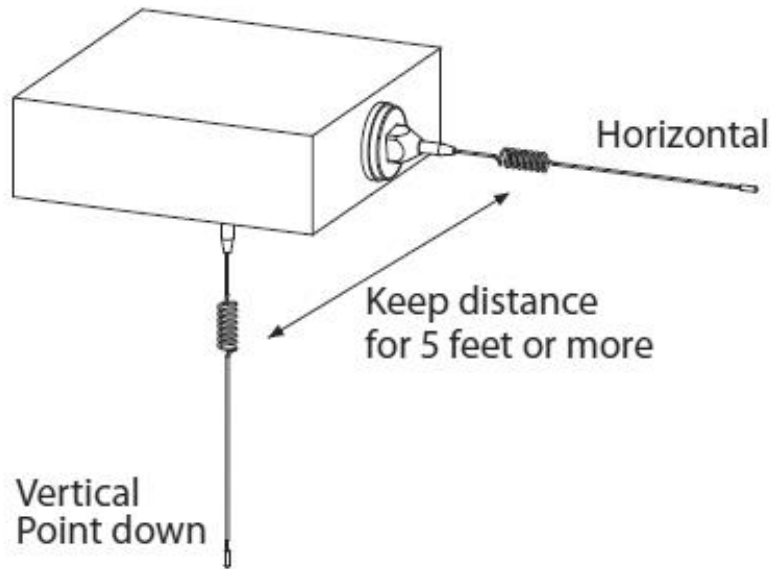
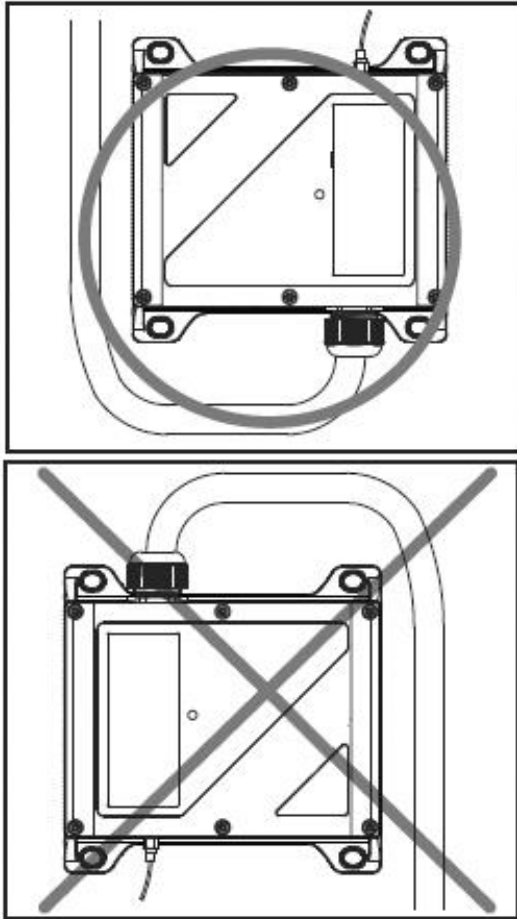
# Receiver

## Technical Data

Frequency	902.5 – 927.5 MHz
Modulation Method	2GFSK
Control System	PLL
Input Power (AC)	90 ~ 240V, 50/60 Hz
Input Power (DC)	12 VDC
Average Power Consumption	AC: 9.7W, DC: 7.2W
Operating Temperature	-40F to +149F
Protection Degree	IP65
Housing Material	PA6 (30% Glass Filled)
Overall Dimension	10.71" × 10.23" × 3.78"
Weight	5.18 Lbs.

# Receiver

## Antenna Position



Mount Enclosure in the orientation shown above. Do not mount upside down. The Receiver Enclosure should be mounted in an area clear of large metal objects, away from crane electricification and with ideally unobstructed line-of-sight to the operator's area.



**INMOTION Controls, Inc.**  
**[www.inmotioncontrols.com](http://www.inmotioncontrols.com)**  
**888-501-2220**